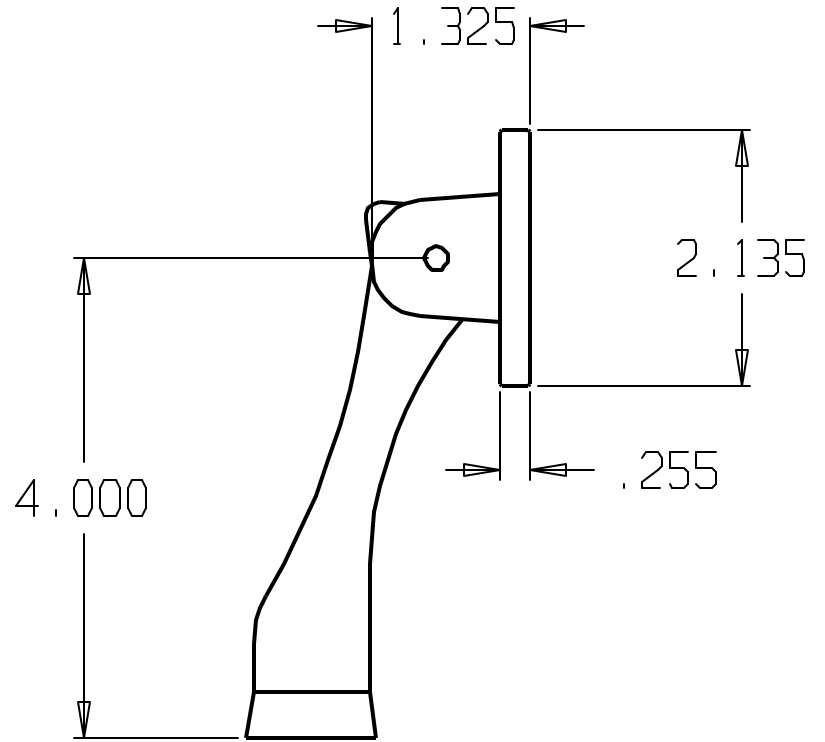
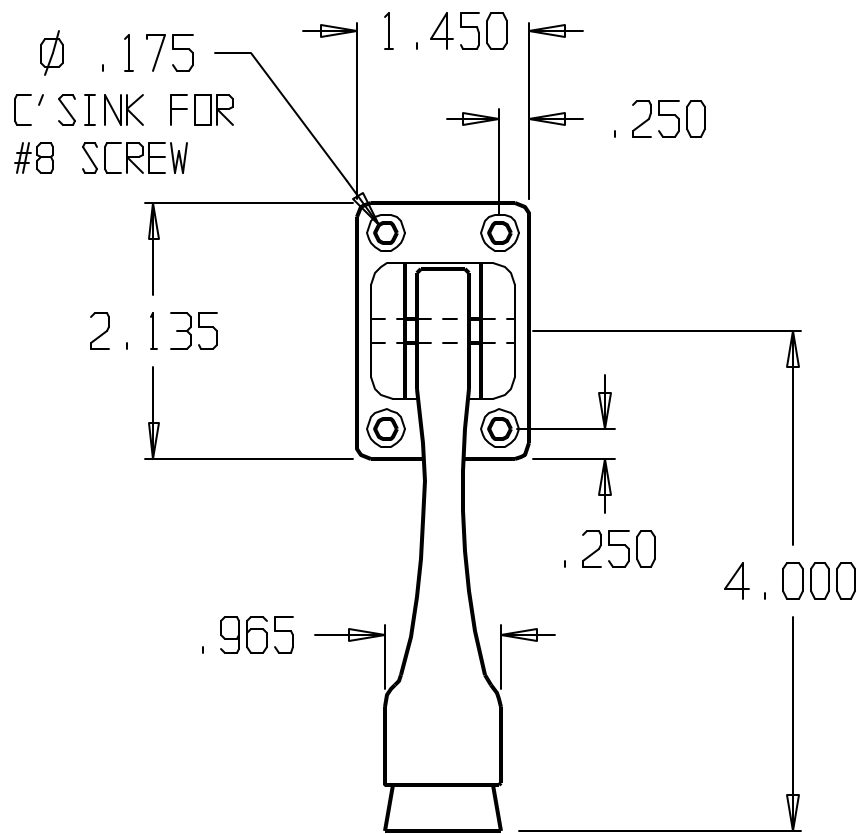


REVISIONS			
ZONE	REV	FINISHES :	APPROVED
		Aluminum, Brass, Bronze	



DESIGNER		SIZE	DATE:	PART NO.	REV
APPROVED		A	3/16/04	KDH4	
		SCALE	RELEASE DATE	WEIGHT	SHEET