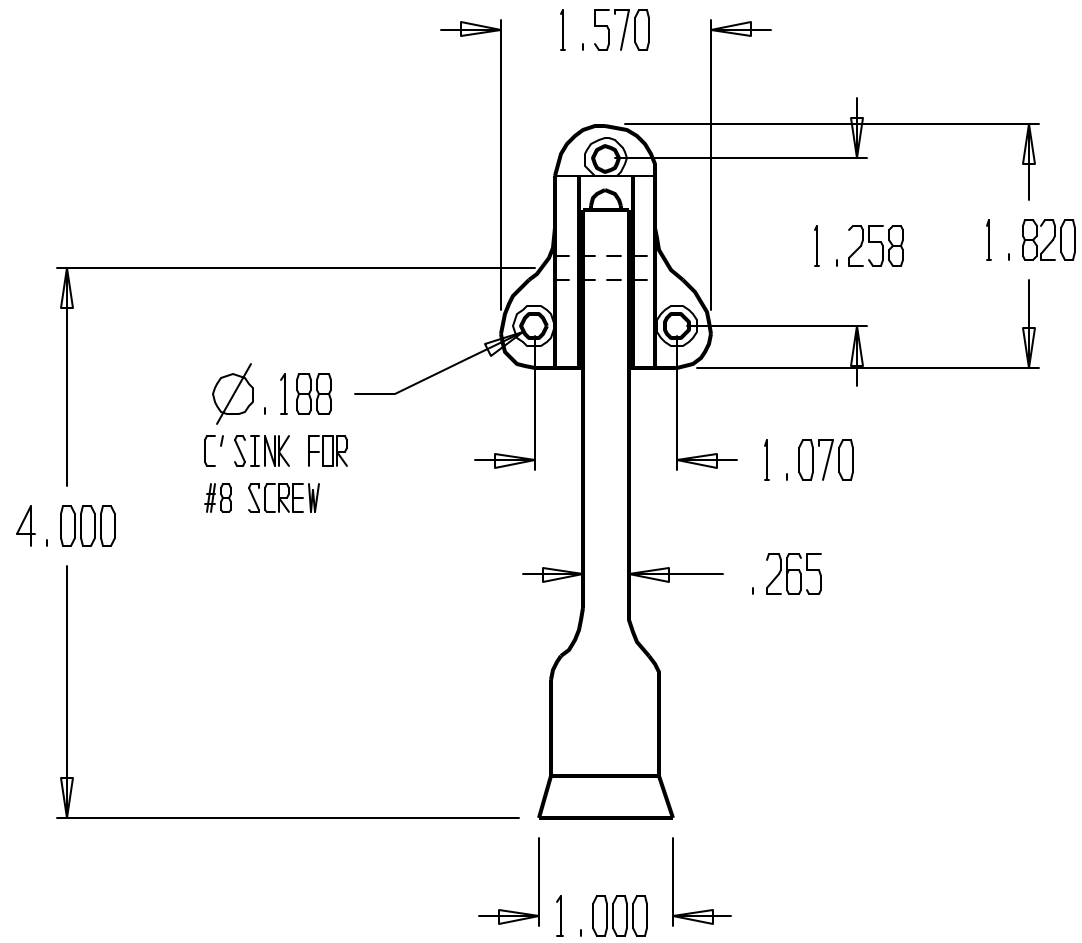


REVISIONS			
ZONE	REV	FINISHES :	DATE
		Brass, Satin Chrome	
			APPROVED



DESIGNER		SIZE A	DATE: 3/15/04	PART NO. KDDH3	REV
APPROVED		SCALE	RELEASE DATE	WEIGHT	SHEET