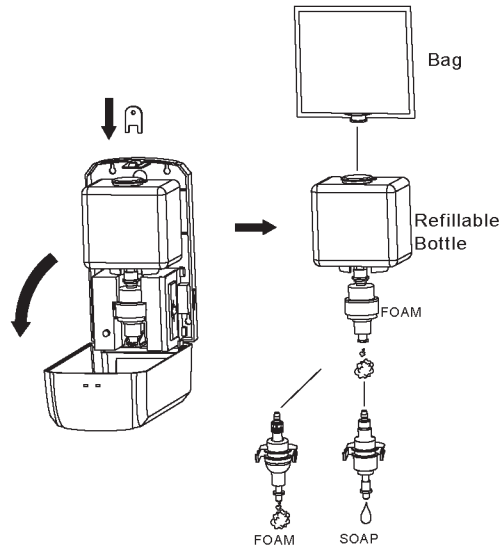
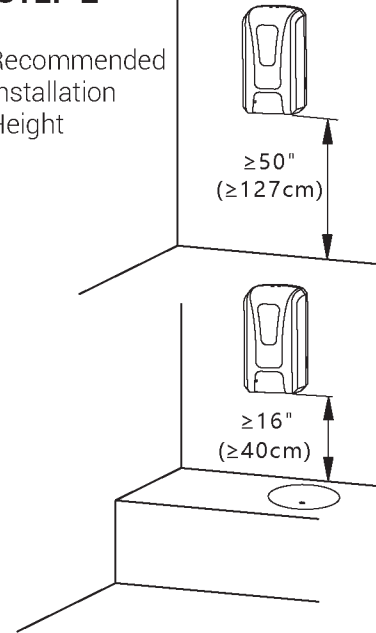


STEP 1

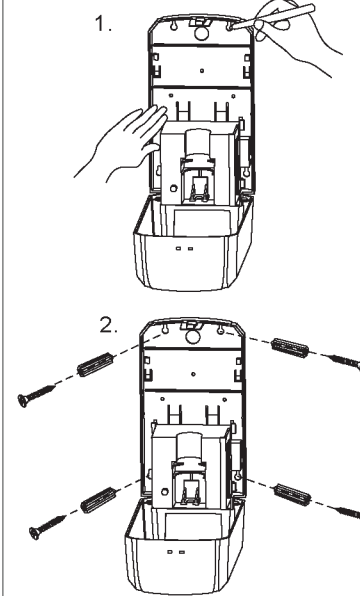


STEP 2

Recommended Installation Height



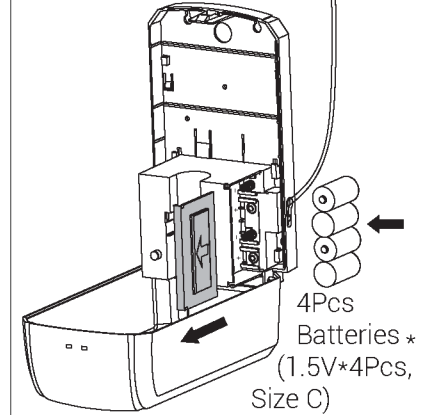
STEP 3



STEP 4

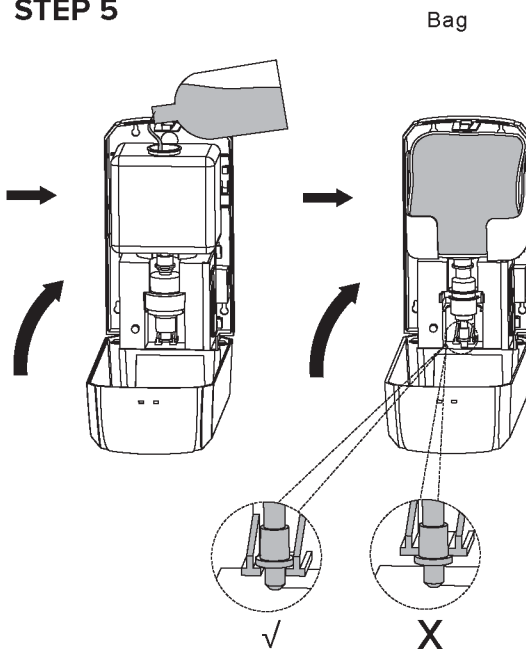
Install Batteries

DC Adapter*
6V1A, Optional)



The Standard Packing is not including DC Adapter and Batteries*

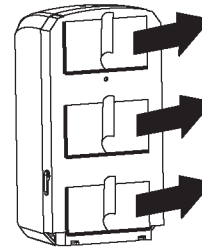
STEP 5



STEP 6

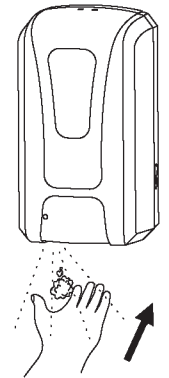
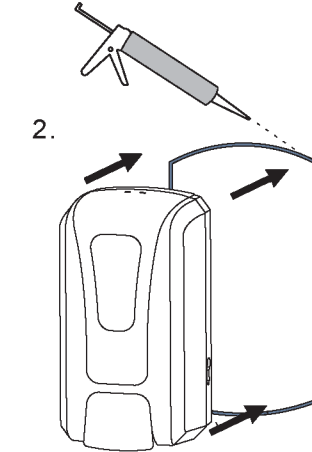
Stick the plastic sign holder onto the base

1. *Double-sided adhesive (Optional)



The standard Packing is not including Double-sided adhesive and Silicone sealant*

3. Silicone Sealant 3.*



- UV disinfection
- Dual color LED: Green is working and Stand-by; Red is Low Battery Alarm.
- Sensing Distance: 8-12cm