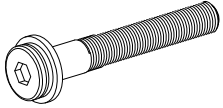


Instruction Sheet

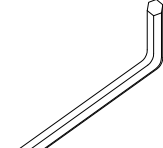
MODELS# TWIN



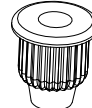
Parts Included:



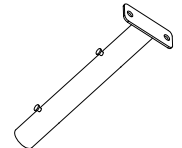
Screw  
M8x40mm  
(X12)



Allen Key  
5mm  
(X1)

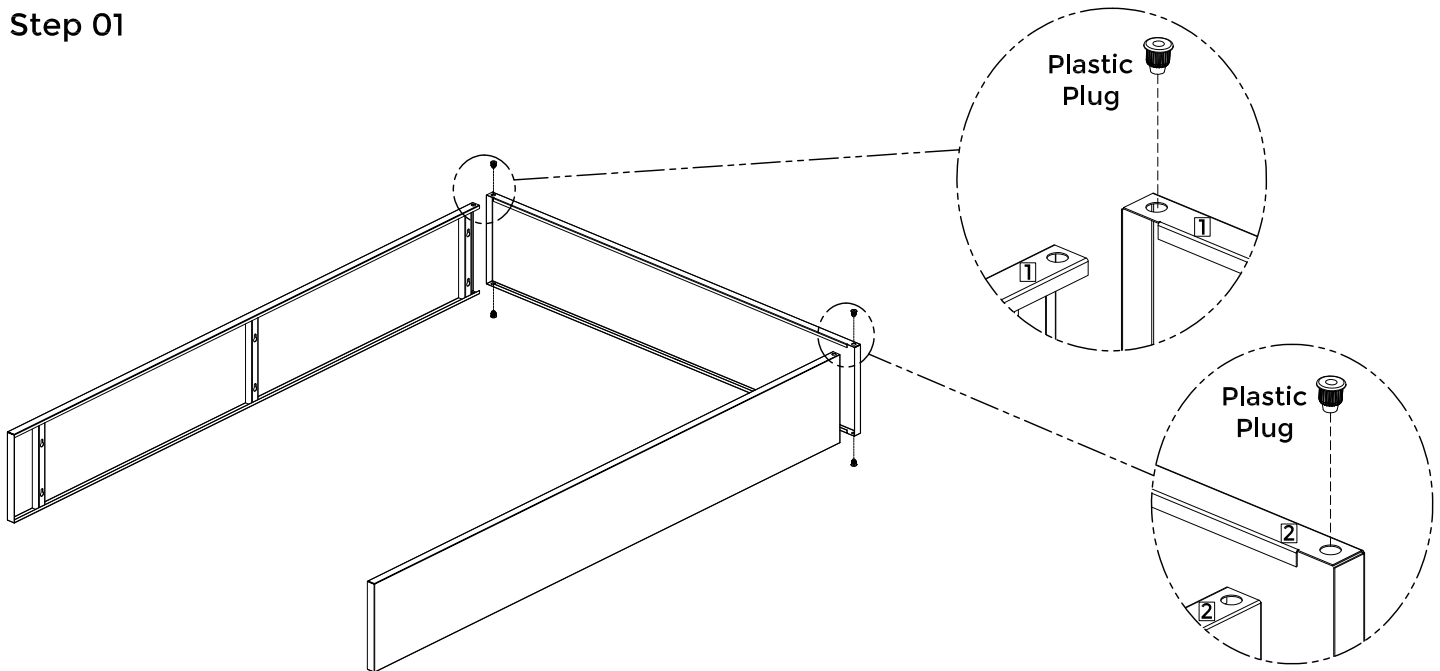


Plastic  
Plug  
(X4)

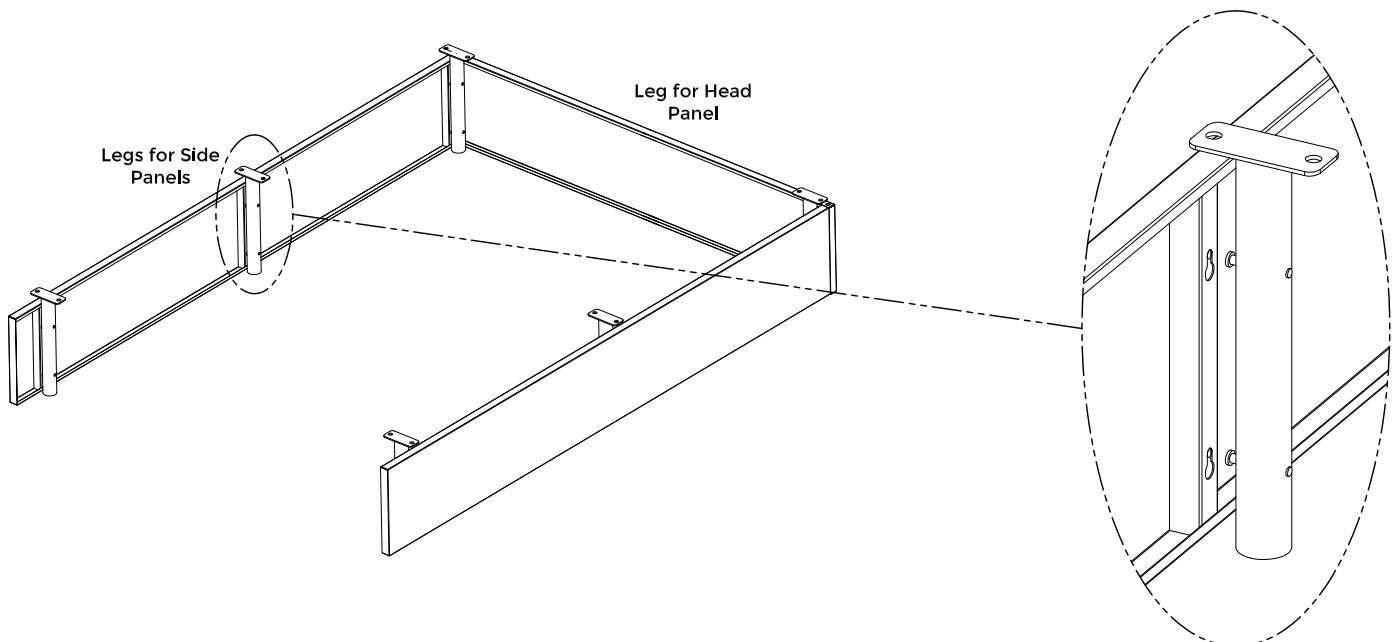


Legs for  
Side  
Panels  
(X6)

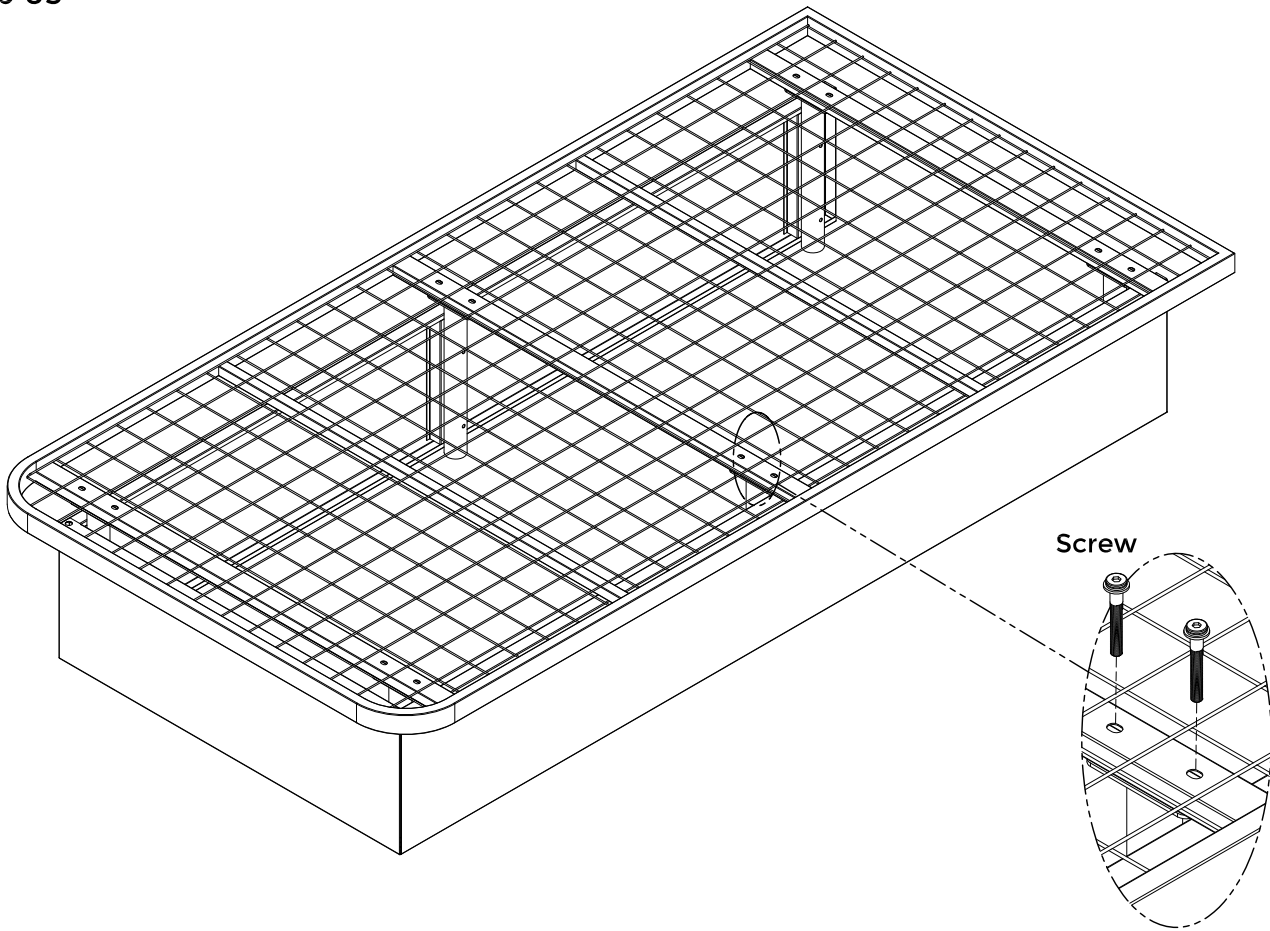
Step 01



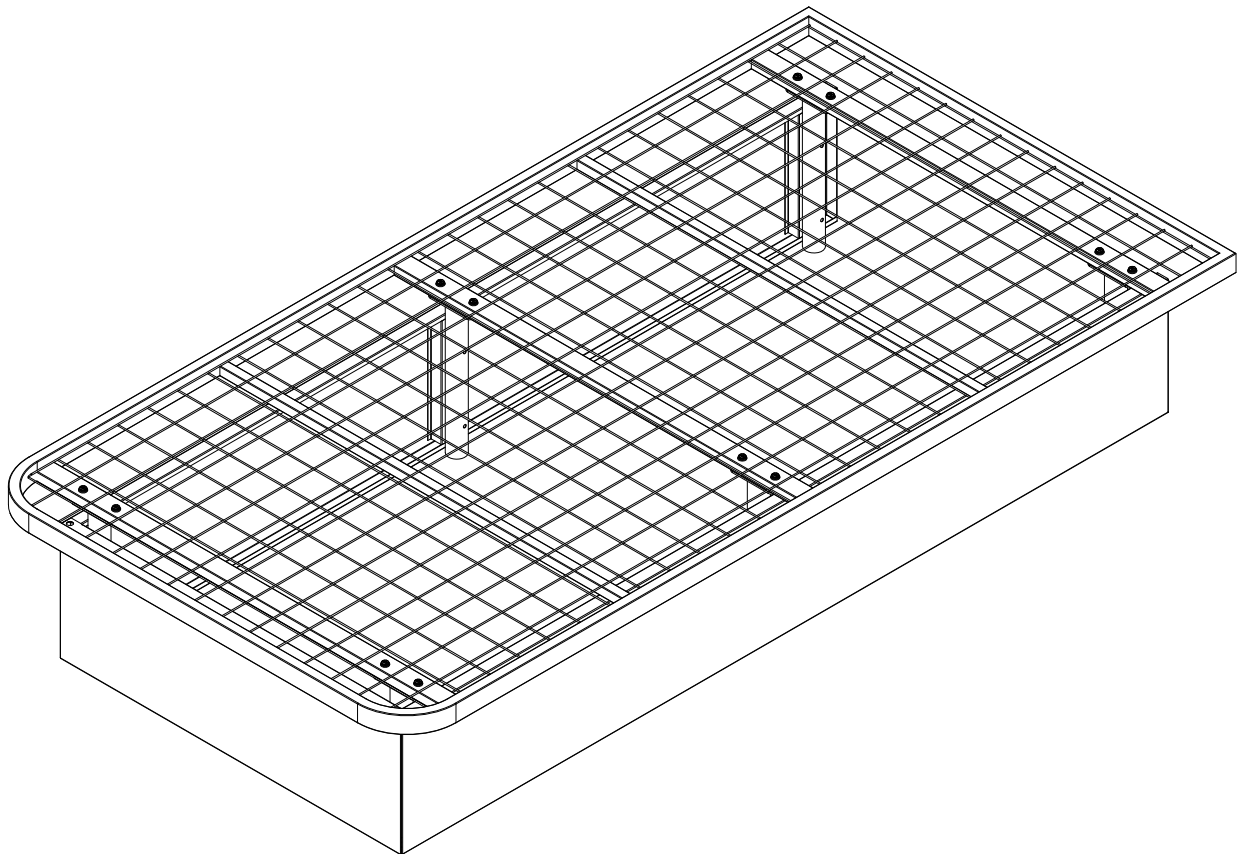
Step 02



Step 03



Follow the same step for the other side

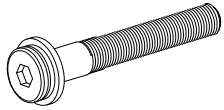


Instruction Sheet

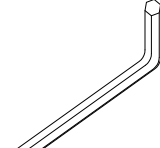


**MODELS#**  
LM13F, LM13FXL, LM13Q, LM13K

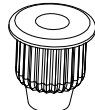
**Parts Included:**



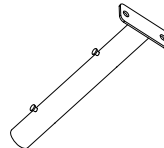
Screw  
M8x40mm  
(X18)



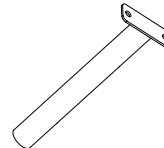
Allen Key  
5mm  
(X1)



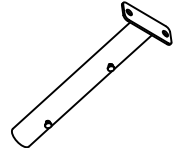
Plastic  
Plug  
(X4)



Legs for  
Side  
Panels  
(X6)

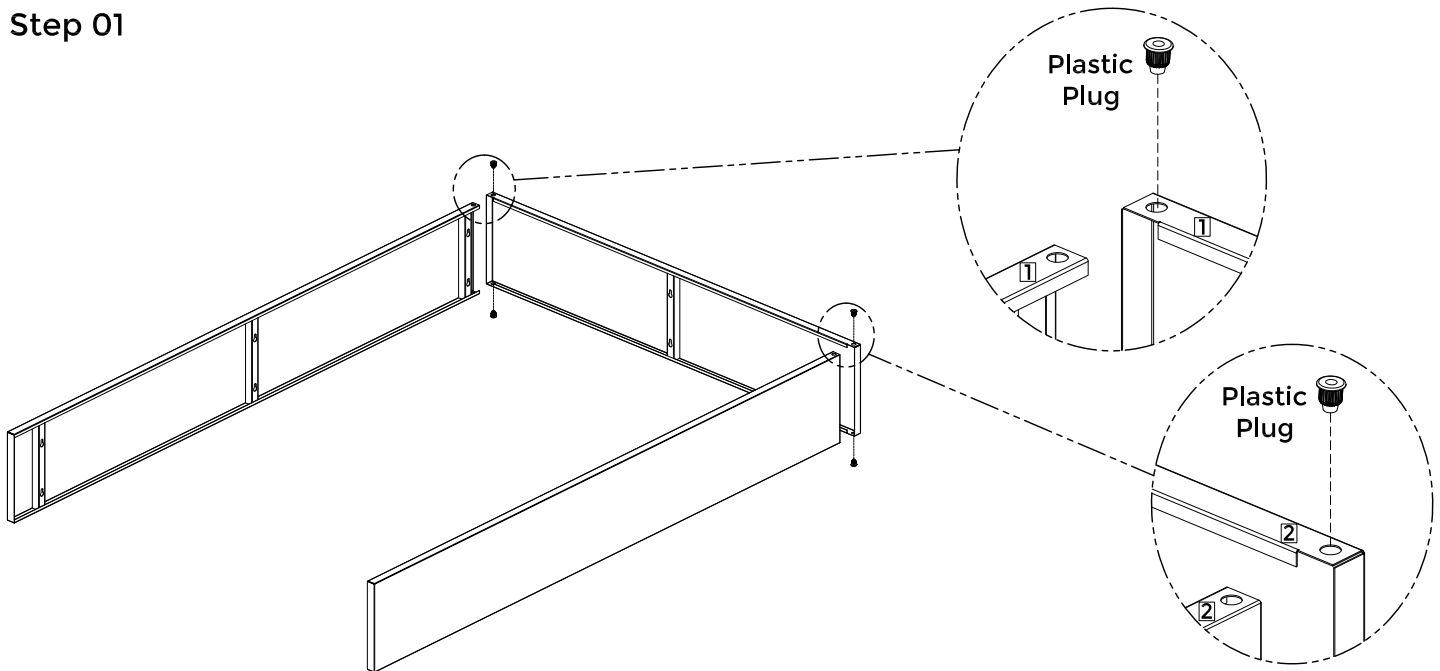


Legs for  
Middle  
Support  
(X2)

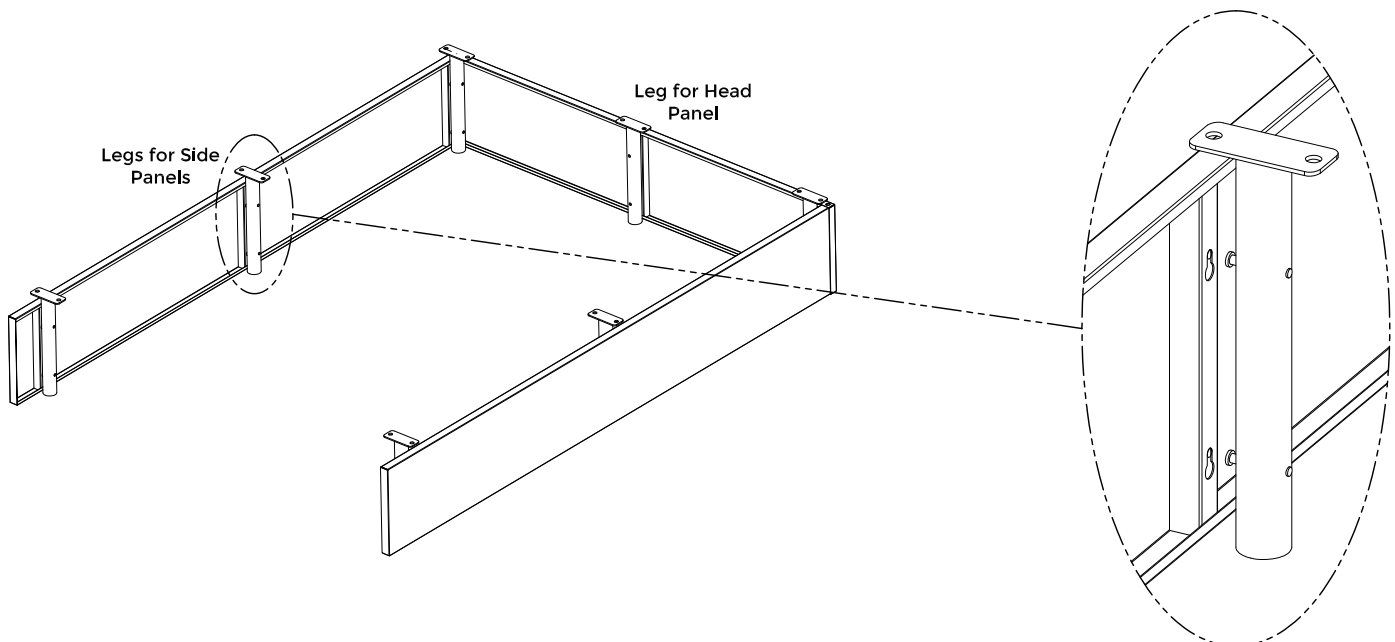


Leg for Head  
Panel  
(X1)

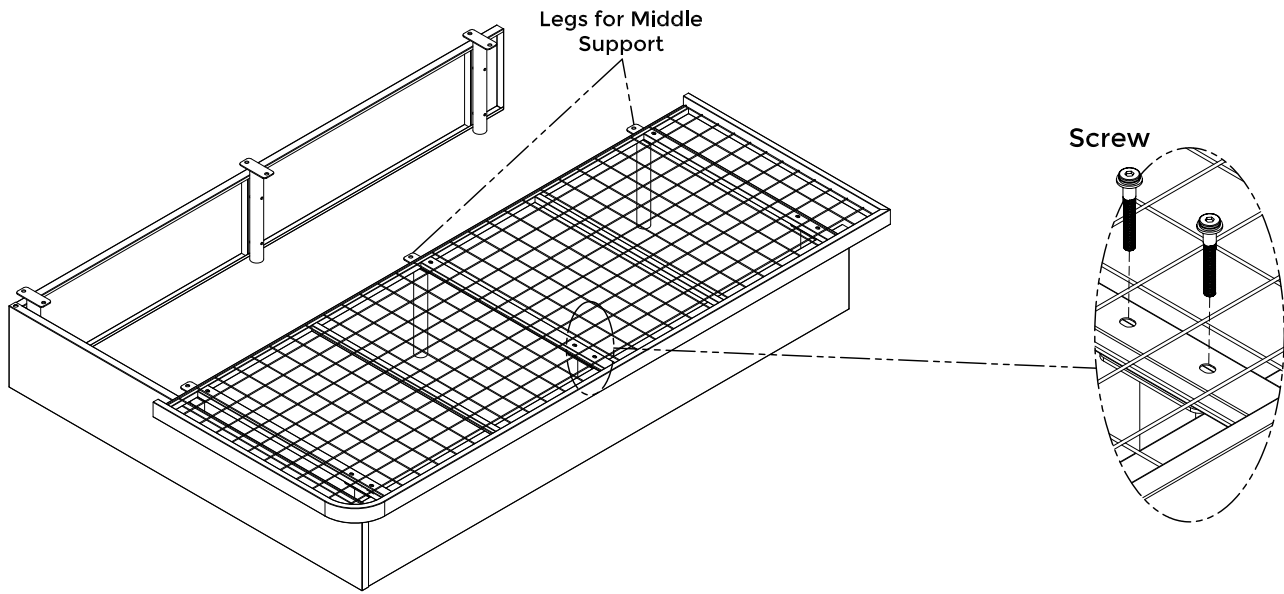
**Step 01**



**Step 02**



**Step 03**



Follow the same step for the other side

