

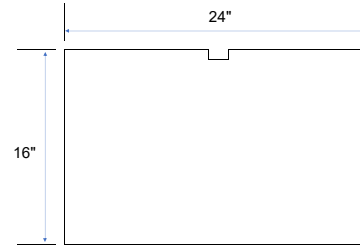
LANG FURNITURE INC.

*Edison 1-Drawer
Nightstand*

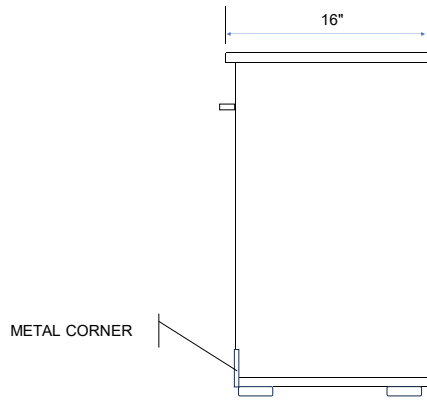
Item Number:
ED45D

Dimensions:
24"W x 16"D x 28"H

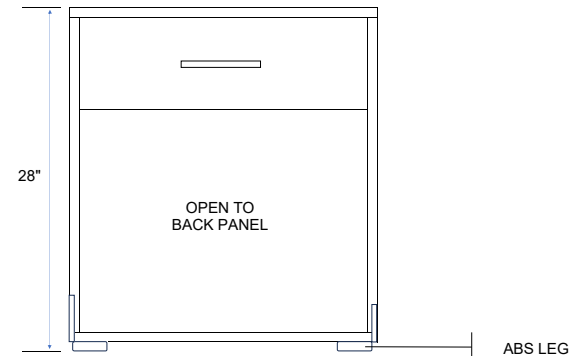
GLUED, SCREWED, AND DOWEL
CONSTRUCTION FOR STRUCTURAL STABILITY



TOP VIEW



SIDE VIEW



FRONT VIEW