

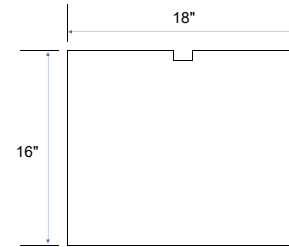
LANG FURNITURE INC.

Edison Nighstand
with Shelf

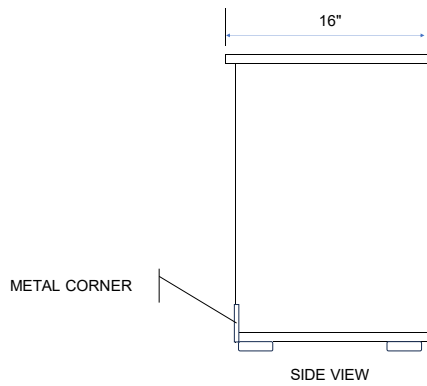
Item Number:
ED32V

Dimensions:
18"W x 16"D x 24"H

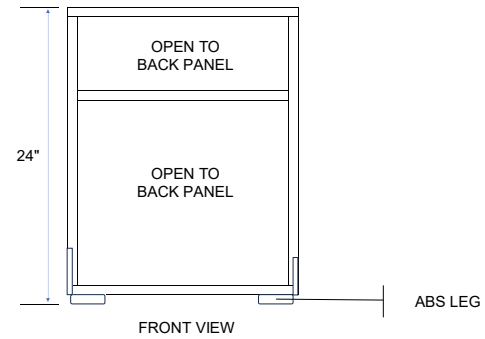
GLUED, SCREWED, AND DOWEL
CONSTRUCTION FOR STRUCTURAL STABILITY



TOP VIEW



SIDE VIEW



FRONT VIEW