

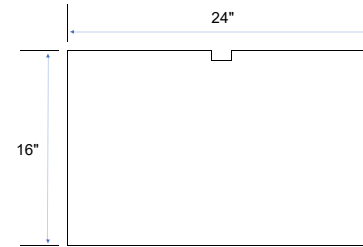
LANG FURNITURE INC.

*Edison 1-Drawer  
Nightstand*

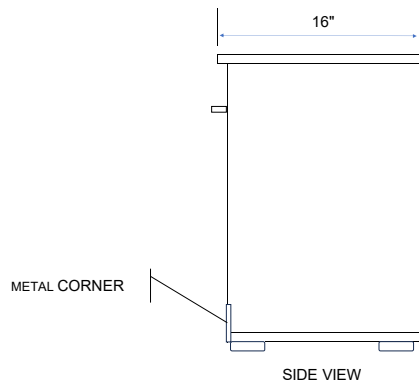
**Item Number:**  
ED2424

**Dimensions:**  
24"W x 16"D x 24"H

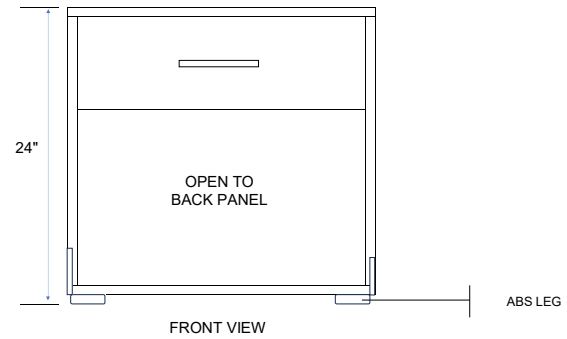
GLUED, SCREWED, AND DOWEL  
CONSTRUCTION FOR STRUCTURAL STABILITY



TOP VIEW



SIDE VIEW



FRONT VIEW